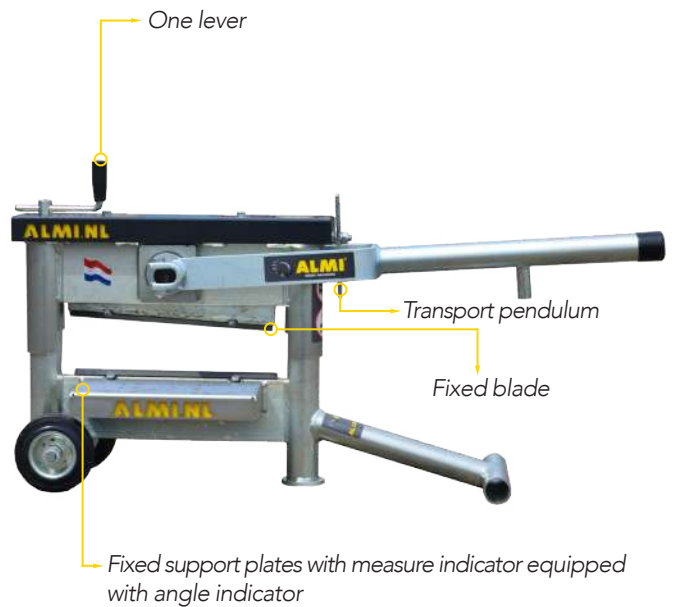


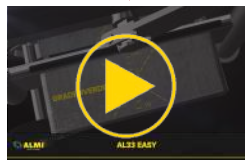
# AL33 EASY

## ALMI PATENT

# AL33D EASY



video  
click here



video  
click here



### TECHNICAL SPECIFICATIONS AL33 EASY

Suitable for pavers, concrete pavers and clay pavers

Advantage splits 20% lighter due to Easy Splitting Power technology

Cutting width 330 mm

Cutting height 10 - 120 mm

Blades square blades (can be used on 4 sides)

Weight 42 kg

Application straight and angled (90° - 45°)

### TECHNICAL SPECIFICATIONS AL33D EASY

Suitable for pavers, concrete pavers and clay pavers

Advantage splits 20% lighter due to Easy Splitting Power technology

Cutting width 330 mm

Cutting height 10 - 120 mm

Blades square blades (can be used on 4 sides)

Weight 42 kg

Application straight and angled (90° - 45°)

